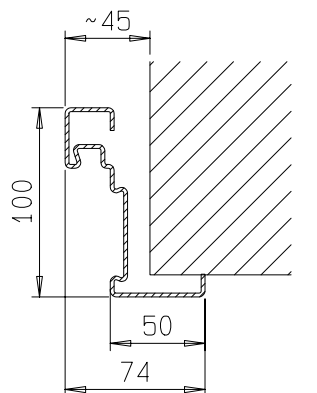
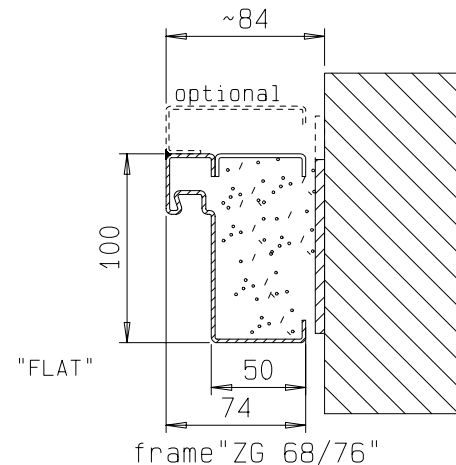
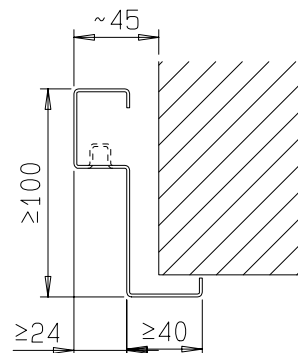


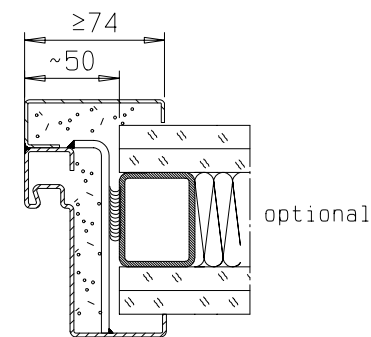
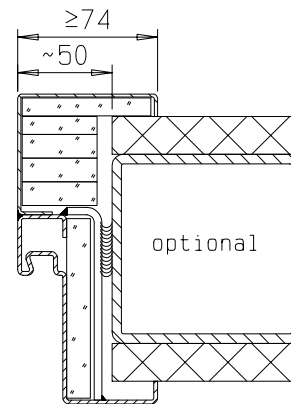
drawn: active door leaf DIN left
DIN right mirror image



frame "ZNG 68/76",
optional



frame "Z 68"
optional



detail of glazing
see vertical cross-section



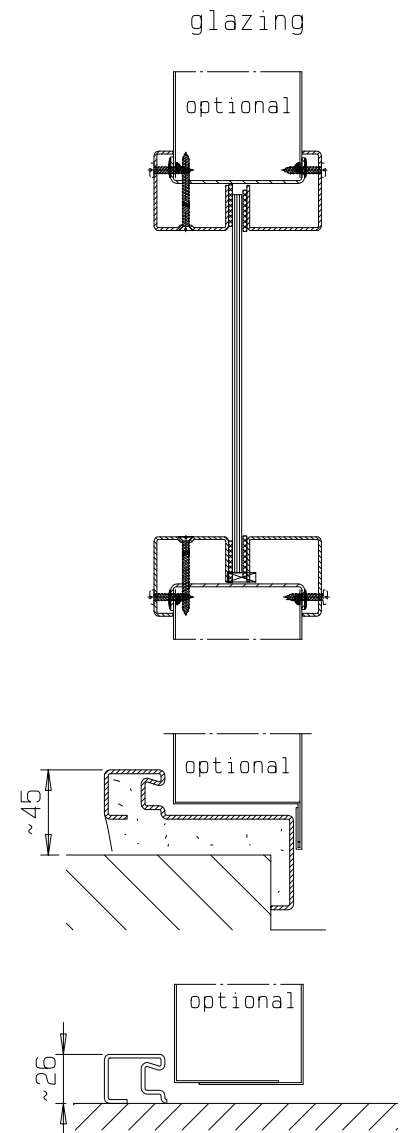
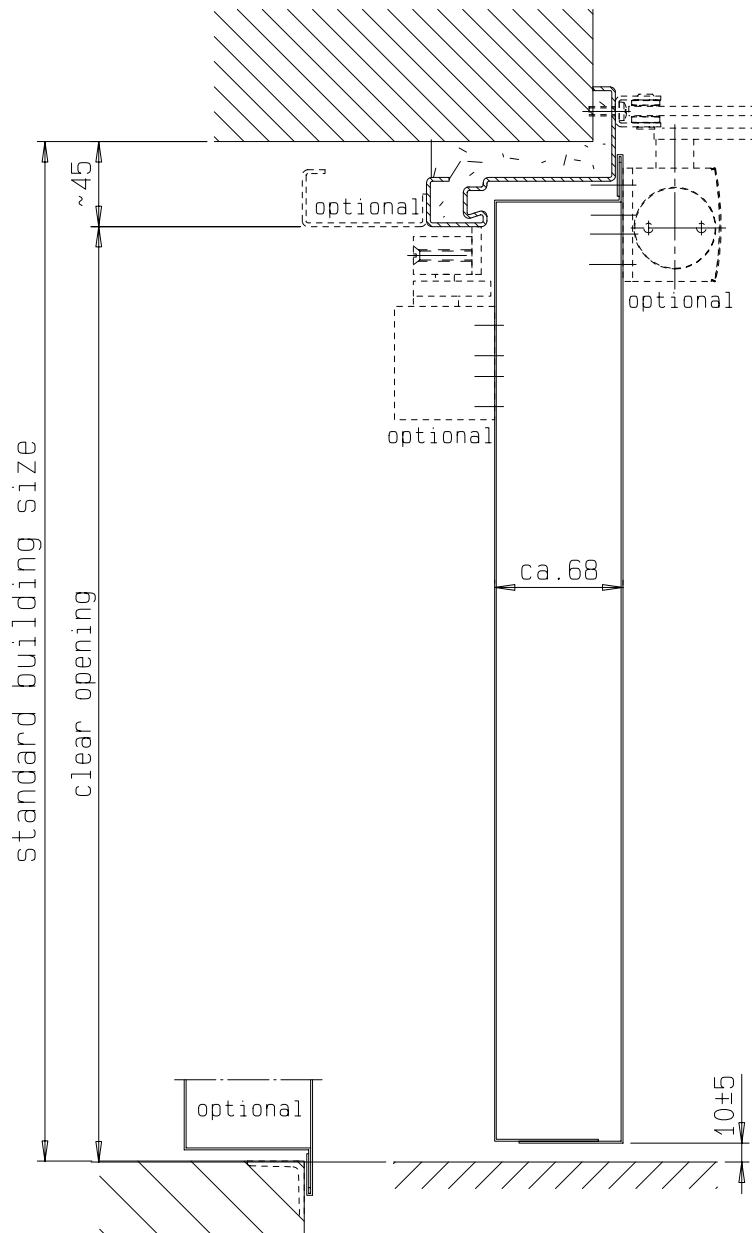
FRANZEN
Feuerschutztüren

Gerhard-Welter-Straße 7; 41812 Erkelenz

double leaf steel fire door
E180/EW60

"System Schröders ES-2"

horizontal cross-section



fitting details respectively frames, look at horizontal cross-section



FRANZEN
Feuerschutztüren

Gerhard-Welter-Straße 7; 41812 Erkelenz

double leaf steel fire door
E180/EW60

"System Schröders ES-2"

vertical cross-section